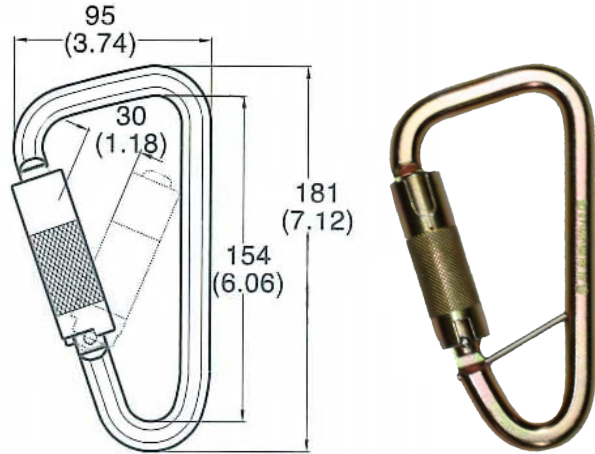




safewaze.com | (P) 704-262-7893 | (F) 704-262-9051
 322 Industrial Court, Concord, NC 28025

TECHNICAL DATA SHEET

FS1025 Large Steel Carabiner



mm (inch)

Features and Benefits	Steel carabiner with twist lock and captive pin. Yellow zinc coating.
Overall Length	7.12 in (181 mm)
Width at Widest Point	3.74 in (94.99 mm)
Gate Opening	1.18 in (29.97 mm)
Material	Steel alloy - heat-treated
Locking Mechanism	Twist lock - self-locking
Gate Strength	3,600 lbs (1632.93 kg)
Weight	1.38 lbs (0.63 kg)
Testing	100% Proof loaded to 3,600 lbs (16 kN)
Minimum Breaking Load	5,000 lbs (2267.96 kg)
Applicable Standards	Meets OSHA 1926.502 - ANSI Z359.12 - ANSI A10.32